

**MAXIM**

# +3.0V to +5.5V, 125Mbps to 266Mbps Limiting Amplifiers with Loss-of-Signal Detector

## General Description

The MAX3964 limiting amplifier, with 3.3mV input sensitivity and PECL data outputs, is ideal for low-cost ATM, FDDI, and Fast Ethernet fiber optic applications.

The MAX3964 features an integrated power detector that senses the input-signal power. It provides a received-signal-strength indicator (RSSI), which is an analog indication of the power level and complementary PECL loss-of-signal (LOS) outputs, which indicate when the power level drops below a programmable threshold. The threshold can be adjusted to detect signal amplitudes as low as 2.7mVp-p. An optional squelch function disables switching of the data outputs by holding them at a known state during an LOS condition.

The MAX3965 provides the same functionality, but offers TTL-compatible LOS outputs. The MAX3968 provides the same functionality as the MAX3964, but has data-output edge speed suitable for ESCON and 266Mbps fibre channel applications.

The MAX3964/MAX3965/MAX3968 are available in die form, as tested wafers, and in 20-pin QSOP packages.

## Applications

- 125Mbps FDDI Receivers
- 155Mbps LAN ATM Receivers
- Fast Ethernet Receivers
- ESCON Receivers
- 266Mbps Fibre Channel Receivers

## Features

- ◆ Single Supply: +3.0V to +5.5V
- ◆ 3.3mV Input Sensitivity
- ◆ 1.4ns Output Edge Speed
- ◆ Loss-of-Signal Detector with Programmable Threshold
- ◆ Analog Received-Signal-Strength Indicator
- ◆ Output Squelch Function
- ◆ Choice of TTL or PECL LOS Outputs
- ◆ Compatible with 4B/5B Data Coding

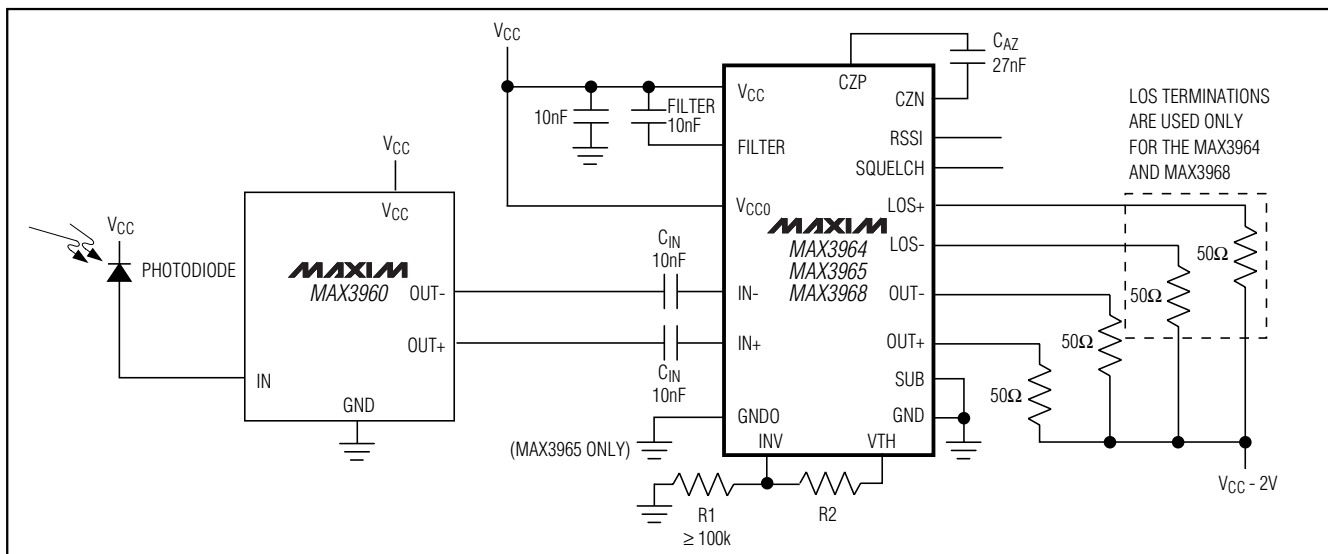
## Ordering Information

PART	TEMP. RANGE	PIN-PACKAGE
MAX3964CEP	0°C to +70°C	20 QSOP
MAX3964C/D	0°C to +70°C	Dice*
MAX3964C/DW	0°C to +70°C	Wafers*
MAX3965CEP	0°C to +70°C	20 QSOP
MAX3965C/D	0°C to +70°C	Dice*
MAX3965C/DW	0°C to +70°C	Wafers*
MAX3968CEP	0°C to +70°C	20 QSOP
MAX3968C/D	0°C to +70°C	Dice*
MAX3968C/DW	0°C to +70°C	Wafers*

\*Dice and wafers are designed to operate over a 0°C to +100°C junction temperature ( $T_j$ ) range, but are tested and guaranteed only at  $T_A = +25^\circ\text{C}$ .

Pin Configurations appear at end of data sheet.

## Typical Operating Circuit

**MAXIM**

Maxim Integrated Products 1

For free samples and the latest literature, visit [www.maxim-ic.com](http://www.maxim-ic.com) or phone 1-800-998-8800.  
For small orders, phone 1-800-835-8769.

MAX3964/MAX3965/MAX3968

# +3.0V to +5.5V, 125Mbps to 266Mbps Limiting Amplifiers with Loss-of-Signal Detector

## ABSOLUTE MAXIMUM RATINGS

(SUB, GND, GNDO tied to ground)

V<sub>CC</sub>, V<sub>CCO</sub> ..... -0.5V to +7.0V  
 FILTER, RSSI, IN+, IN-, CZP, CZN, SQUELCH,  
 LOS+, LOS-, INV, VTH, OUT+, OUT- ..... -0.5V to (V<sub>CC</sub> + 0.5V)  
 PECL Output Current (OUT+, OUT-, LOS+, LOS-) ..... 50mA  
 Differential Voltage Between CZP and CZN ..... -1.5V to +1.5V  
 Differential Voltage Between IN+ and IN- ..... -1.5V to +1.5V

Continuous Power Dissipation (T<sub>A</sub> = +70°C)

QSOP (derate 6.7mW/°C above +70°C) ..... 500mW  
 Operating Temperature Range ..... -40°C to +85°C  
 Operating Junction Temperature Range (die) ..... -40°C to +150°C  
 Processing Temperature (die) ..... +400°C  
 Storage Temperature Range ..... -65°C to +160°C  
 Lead Temperature (soldering, 10sec) ..... +300°C

Stresses beyond those listed under "Absolute Maximum Ratings" may cause permanent damage to the device. These are stress ratings only, and functional operation of the device at these or any other conditions beyond those indicated in the operational sections of the specifications is not implied. Exposure to absolute maximum rating conditions for extended periods may affect device reliability.

## ELECTRICAL CHARACTERISTICS

(V<sub>CC</sub> = +3.0V to +5.5V, PECL outputs terminated with 50Ω to (V<sub>CC</sub> - 2V), T<sub>A</sub> = 0°C to +70°C, unless otherwise noted. Typical values are at V<sub>CC</sub> = +3.3V and T<sub>A</sub> = +25°C.) (Note 1)

PARAMETER	CONDITIONS	MIN	TYP	MAX	UNITS
Supply Current	Excludes PECL output current		22	40	mA
LOS Hysteresis	(Note 2)	3.8	5	8.0	dB
SQUELCH Input Current	V <sub>SQUELCH</sub> = V <sub>CC</sub> , T <sub>A</sub> = +25°C		27	100	μA
PECL Output Voltage High	(Note 3)	-1025		-880	mV
PECL Output Voltage Low	(Note 3)	-1810		-1620	mV
PECL LOS Output Voltage High	(Note 3)	-1035		-880	mV
PECL LOS Output Voltage Low	(Note 3)	-1810		-1620	mV
LOS Assert Accuracy	Input = 7mVp-p or 90mVp-p	-2.5		2.5	dB
Minimum LOS Assert Input				2.7	mVp-p
Maximum LOS Deassert Input		143			mVp-p
Input Sensitivity			2.0	3.3	mVp-p
Input Overload		1.5			Vp-p
Data Output Edge Speed	20% to 80% transition time, MAX3964/MAX3965	0.92	1.2	2.2	ns
	MAX3968	0.4	0.8	1.2	
Pulse-Width Distortion	(Note 4)		50	200	ps
TTL Output High	I <sub>OH</sub> = -200μA	2.4	3.1	V <sub>CC</sub>	V
TTL Output Low	I <sub>OL</sub> = 200μA	0	0.3	0.4	V

**Note 1:** Dice are tested and guaranteed at T<sub>A</sub> = +25°C only.

**Note 2:** LOS hysteresis = 20log(V<sub>LOS-DEASSERT</sub> / V<sub>LOS-ASSERT</sub>). Input = 3.3mVp-p to 90mVp-p.

**Note 3:** Voltage measurements are relative to supply voltage (V<sub>CC</sub>).

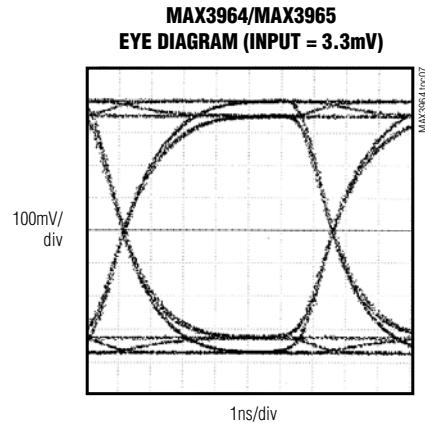
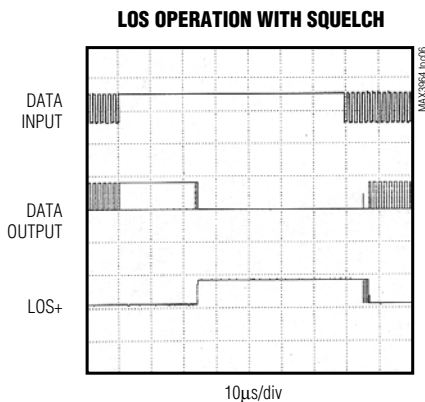
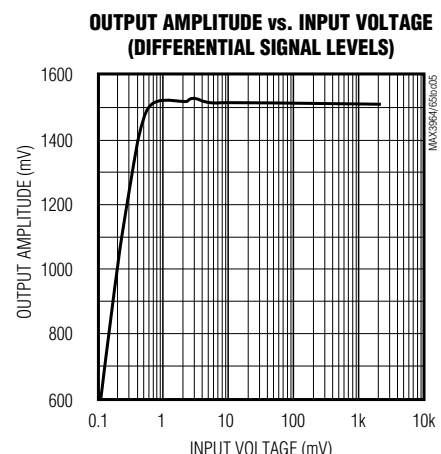
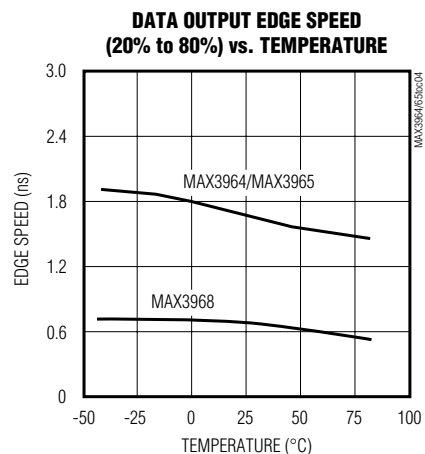
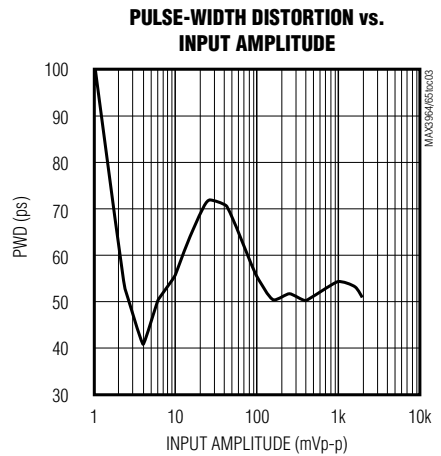
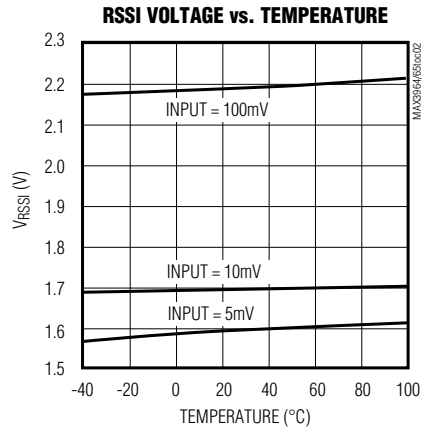
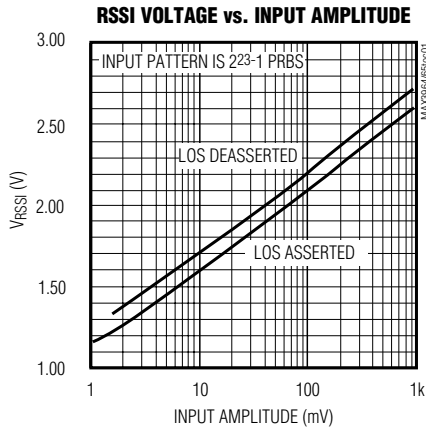
**Note 4:** PWD = [(width of wider pulse) - (width of narrower pulse)] / 2, measured with 100Mbps 1-0 pattern.

# +3.0V to +5.5V, 125Mbps to 266Mbps Limiting Amplifiers with Loss-of-Signal Detector

## Typical Operating Characteristics

(MAX3964 evaluation kit,  $V_{CC} = +3.3V$ , decibels (dB) calculated as  $20 \log \Delta V$ , PECL outputs terminated with  $50\Omega$  to  $(V_{CC} - 2V)$ ,  $T_A = +25^\circ C$ , unless otherwise noted.)

**MAX3964/MAX3965/MAX3968**



## +3.0V to +5.5V, 125Mbps to 266Mbps Limiting Amplifiers with Loss-of-Signal Detector

### Pin Description

PIN	NAME	FUNCTION
1	SQUELCH	Squelch Input. The squelch function disables the data outputs by forcing OUT- low and OUT+ high during a loss-of-signal condition. Connect to GND or leave unconnected to disable. Connect to V <sub>CC</sub> to enable squelching.
2	VTH	Output of Internal Op Amp that Sets Loss-of-Signal Threshold Voltage (Figure 1). Connect a resistor from VTH to INV, and from INV to ground (minimum resistance 100k $\Omega$ ) to program the desired threshold voltage.
3	INV	Inverting Input of Internal Op Amp that Sets Loss-of-Signal Threshold Voltage (Figure 1). Connect a resistor from VTH to INV, and from INV to ground (minimum resistance 100k $\Omega$ ) to program the desired threshold voltage.
4	FILTER	Filter Output of Full-Wave Logarithmic Detectors (FWDs). The FWD outputs are summed together at FILTER to generate the received-signal-strength indicator (RSSI). Connect a capacitor from FILTER to V <sub>CC</sub> for proper operation.
5	RSSI	Received-Signal-Strength Indicator Output. The analog DC voltage at RSSI indicates the input signal power. The RSSI output is reduced approximately 120mV when LOS+ is asserted.
6	IN-	Inverting Data Input
7	IN+	Noninverting Data Input
8	SUB	Substrate. Connect to ground.
9, 10	GND	Ground
11	CZP	Auto-Zero Capacitor Input. Connect a capacitor between CZP and CZN to determine the offset-correction-loop bandwidth.
12	CZN	Auto-Zero Capacitor Input. Connect a capacitor between CZP and CZN to determine the offset-correction-loop bandwidth.
13	V <sub>CCO</sub>	Output Buffer Supply Voltage. Connect to the same potential as V <sub>CC</sub> , but filter V <sub>CCO</sub> and V <sub>CC</sub> separately.
14	OUT+	Noninverting PECL Data Output. Terminate with 50 $\Omega$ to (V <sub>CC</sub> - 2V).
15	OUT-	Inverting PECL Data Output. Terminate with 50 $\Omega$ to (V <sub>CC</sub> - 2V).
16	LOS-	Inverting Loss-of-Signal Output. LOS- is asserted low when input power drops below the LOS threshold. For the MAX3964/MAX3968, this pin is PECL-compatible and should be terminated with 50 $\Omega$ to (V <sub>CC</sub> - 2V). For the MAX3965, this output is TTL-compatible and does not require termination.
17	LOS+	Noninverting Loss-of-Signal Output. LOS+ is asserted high when input power drops below the LOS threshold. For the MAX3964/MAX3968, this pin is PECL-compatible and should be terminated with 50 $\Omega$ to (V <sub>CC</sub> - 2V). For the MAX3965, this output is TTL-compatible and does not require termination.
18	V <sub>CCO</sub>	MAX3964/MAX3968: This pin may be left open or connected to the positive supply.
	G <sub>NDO</sub>	MAX3965: This pin must be connected to ground.
19, 20	V <sub>CC</sub>	+3.0V to +5.5V Supply Voltage

# +3.0V to +5.5V, 125Mbps to 266Mbps Limiting Amplifiers with Loss-of-Signal Detector

**MAX3964/MAX3965/MAX3968**

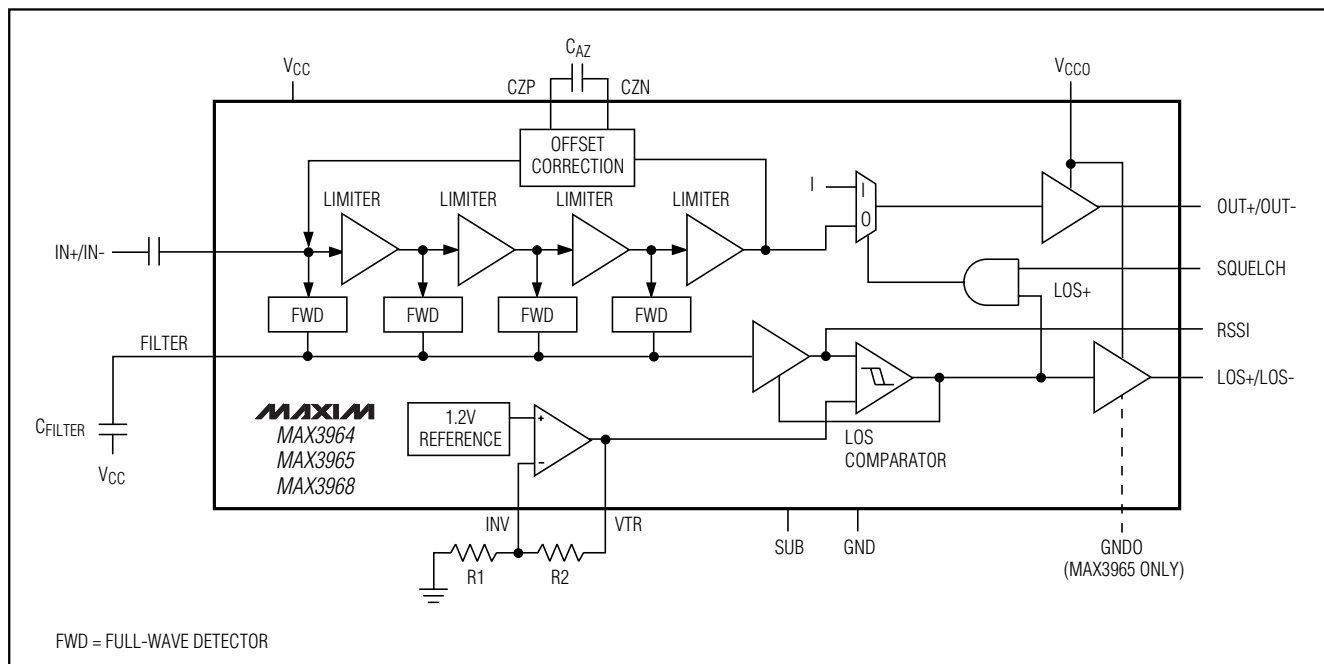


Figure 1. Functional Diagram

## Detailed Description

The MAX3964 contains a series of limiting amplifiers and power detectors, offset correction, data-squelch circuitry, and PECL output buffers for data and loss-of-signal (LOS) outputs. The MAX3965 is functionally the same, but it provides TTL buffers on the LOS outputs. The MAX3968 provides PECL LOS outputs with data outputs suitable for 266Mbps. Figure 1 shows a functional diagram of the MAX3964/MAX3965/MAX3968.

### Limiting Amplifiers

A series of four limiting amplifiers provides gain of approximately 65dB.

### Power Detector

Each amplifier stage contains a full-wave logarithmic detector (FWD), which indicates the RMS input signal power. The FWD outputs are summed together at the FILTER pin where the signal is filtered by an external capacitor (CFILTER) connected between FILTER and VCC. The FILTER signal generates the RSSI output voltage, which is proportional to the input power in decibels. When LOS+ is low, VRSSI is approximated by the following equation:

$$V_{RSSI} (V) = 1.2V + 0.5 \log (V_{IN})$$

where  $V_{IN}$  is measured in mVp-p.

This relation translates to a 25mV increase in  $V_{RSSI}$  for every 1dB increase in  $V_{IN}$  (25mV/dB). The RSSI output is reduced approximately 120mV when LOS+ is asserted.

### PECL Outputs

The data outputs (OUT+, OUT-) and the MAX3964/MAX3968 loss-of-signal outputs (LOS+, LOS-) are supply-referenced PECL outputs. Standard PECL termination at each output of 50Ω to (VCC - 2V) is recommended for best performance.

### TTL Outputs

The MAX3965 LOS outputs (LOS+, LOS-) are implemented with open-collector Schottky-clamped TTL-compatible outputs. The LOS outputs are pulled to VCC internally with 2kΩ resistors and do not require external pull-up resistors.

### Input Offset Correction

A low-frequency feedback loop around the limiting amplifier improves receiver sensitivity and power-detector accuracy. The offset-correction loop's bandwidth is determined by an external capacitor (CAZ) connected between the CZP and CZN pins.

The offset correction is optimized for data streams with a 50% duty cycle. A different average duty cycle results in increased pulse-width distortion and loss of

## +3.0V to +5.5V, 125Mbps to 266Mbps Limiting Amplifiers with Loss-of-Signal Detector

sensitivity. The offset-correction circuitry is less sensitive to variations of input duty cycle (for example, the 40% to 60% duty cycle encountered in 4B/5B coding) when the input is less than 30mVp-p.

### Loss-of-Signal Comparator

The LOS comparator indicates when the input signal power is below the programmed LOS threshold. To ensure supply and temperature independence,  $V_{TH}$  is generated by a 1.2V bandgap reference. The op amp's external gain-setting resistors (R1 and R2) can be chosen to set  $V_{TH}$  between 1.2V and 2.4V. To ensure chatter-free operation, the LOS comparator is designed with approximately 5dB of hysteresis.

### Squelch

The squelch function disables the data outputs by forcing OUT- low and OUT+ high during a LOS condition. This function ensures that when there is a loss of signal, the limiting amplifier (and all downstream devices) does not respond to input noise or corrupt data. Connect SQUELCH to GND or leave it unconnected to disable squelch. Connect SQUELCH to VCC to enable data squelching.

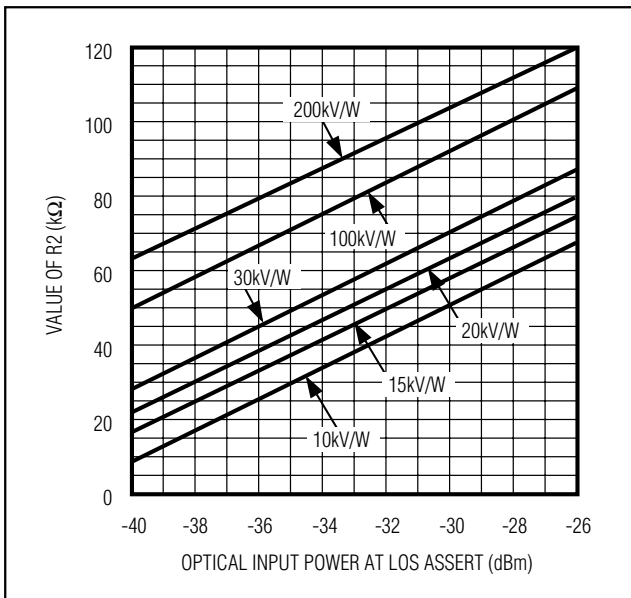


Figure 2. LOS Assert Programming Resistor vs. LOS Assert Power (for various PIN-TIA gains)

## Applications Information

### Program the LOS Threshold

Figure 2 provides information for selecting the LOS threshold voltage ( $V_{TH}$ ). If R1 is 100kΩ and if the responsivities of the photodiode and preamplifier are known, then the value of R2 can be selected from Figure 2 to provide LOS assert at the desired input power.

### Select Capacitors

A typical MAX3964/MAX3965/MAX3968 implementation requires four external capacitors (CAZ, CFILTER, and two input coupling capacitors). For all applications up to 266Mbps, Maxim recommends the following:

$$C_{AZ} = 27\text{nF}$$

$$C_{FILTER} = 10\text{nF}$$

$$C_{IN} = 10\text{nF}$$

### Wire Bonding

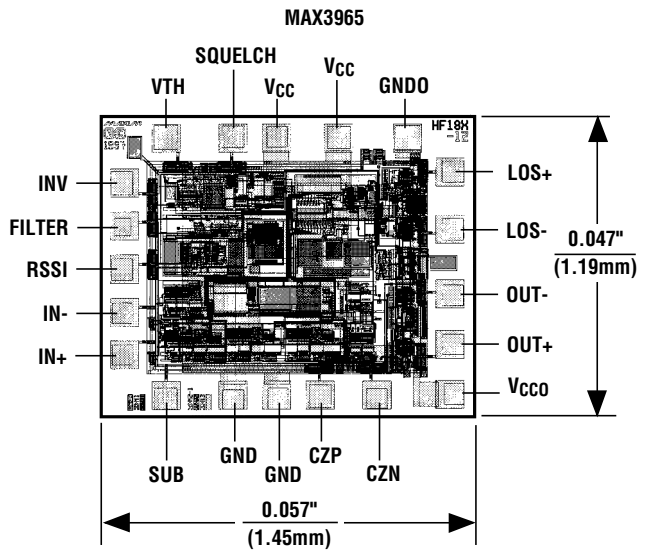
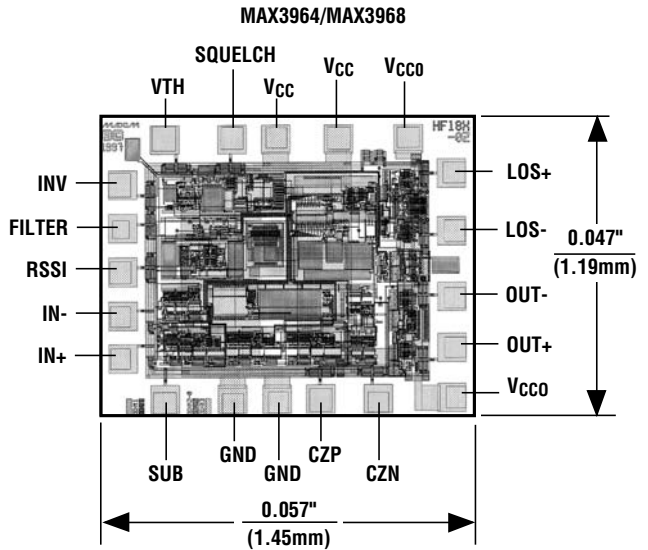
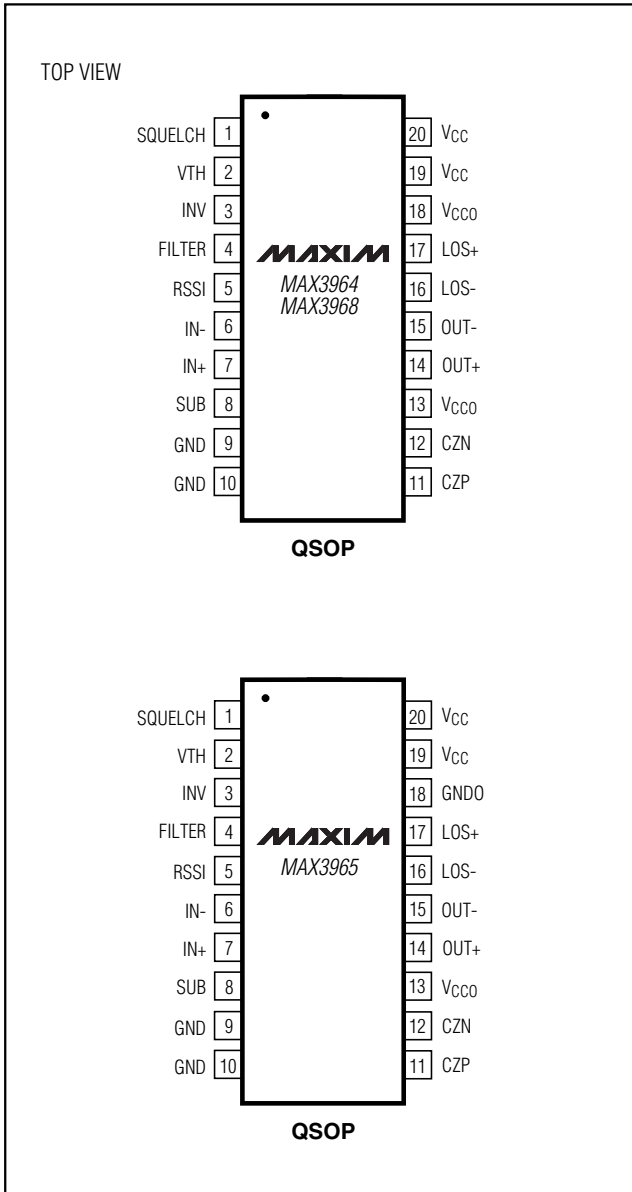
For high-current density and reliable operation, the MAX3964 series uses gold metalization. Make connections to the dice with gold wire only, using ball-bonding techniques (wedge bonding is not recommended). Die-pad size is 4mils square with a 6mil pitch. Die thickness is 15mils.

# +3.0V to +5.5V, 125Mbps to 266Mbps Limiting Amplifiers with Loss-of-Signal Detector

## Pin Configurations

## Chip Topographies

**MAX3964/MAX3965/MAX3968**



TRANSISTOR COUNT: 915  
SUBSTRATE CONNECTED TO SUB

# +3.0V to +5.5V, 125Mbps to 266Mbps Limiting Amplifiers with Loss-of-Signal Detector

## Package Information

DIM	INCHES		MILLIMETERS	
	MIN	MAX	MIN	MAX
A	.061	.068	1.55	1.73
A1	.004	.0098	0.102	0.249
A2	.055	.061	1.40	1.55
B	.008	.012	0.20	0.31
C	.0075	.0098	0.191	0.249
D	SEE VARIATIONS			
E	.150	.157	3.81	3.99
e	.025 BSC		0.635 BSC	
H	.230	.244	5.84	6.20
h	.010	.016	0.25	0.41
L	.016	.035	0.41	0.89
N	SEE VARIATIONS			
X	SEE VARIATIONS			
Y	.071	.087	1.803	2.209
α	0°	8°	0°	8°

DIM	INCHES		MILLIMETERS		N
	MIN.	MAX.	MIN.	MAX.	
D	.189	.196	4.80	4.98	16 AA
S	.0020	.0070	0.05	0.18	
X	.107	.123	2.72	3.12	
D	.337	.344	8.56	8.74	20 AB
S	.0500	.0550	1.270	1.397	
D	.337	.344	8.56	8.74	24 AC
S	.0250	.0300	0.635	0.762	
D	.386	.393	9.80	9.98	28 AD
S	.0250	.0300	0.635	0.762	
X	.271	.287	6.88	7.29	

NOTES:

- D & E DO NOT INCLUDE MOLD FLASH OR PROTRUSIONS
- MOLD FLASH OR PROTRUSIONS NOT TO EXCEED .006" PER SIDE.
- HEAT SLUG DIMENSIONS X AND Y APPLY ONLY TO 16 AND 28 LEAD POWER-QSOP PACKAGES.
- CONTROLLING DIMENSIONS: INCHES.

MAXIM  
 PROPRIETARY INFORMATION  
 TITLE:  
 PACKAGE OUTLINE, QSOP, .150", .025" LEAD PITCH  
 APPROVAL: \_\_\_\_\_ DOCUMENT CONTROL NO. 21-0055 REV B 1/1

QSOP:EPS